

# 2MP 38x Starlight IR Network PTZ Dome Camera

IPC6852SR-X38UG



## Key Features

### Optics

- Starlight illumination
- Accurate and fast focusing
- Smart IR, up to 250m (820ft) IR distance
- Optical glass window with higher light transmittance
- IR anti-reflection window to increase the infrared transmittance

### Compression

- Ultra 265, H.265, H.264, MJPEG
- Embedded smart algorithm
- Triple streams
- Customized OSD

### Network

- ONVIF Conformance
- Optional network interfaces with Ethernet RJ45 and optical SFP

## Structure

- Innovative snow-removing functionality
- More effective heat dissipation system
- Intelligent temperature control technology
- IP66

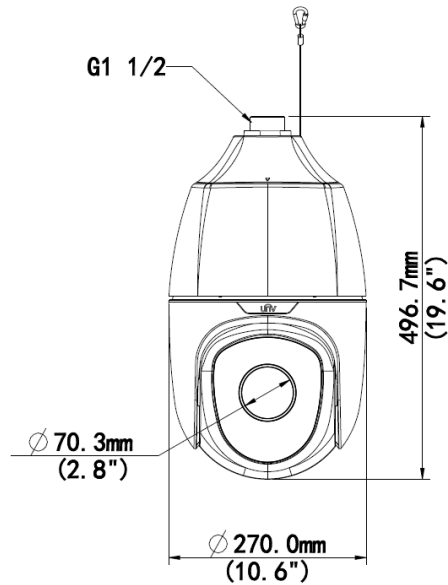
## Specifications

IPC6852SR-X38UG																
<b>Camera</b>																
Sensor	1/1.8", 2.0 megapixel, progressive scan, CMOS															
Lens	5.7 ~ 216.6mm, AF automatic focusing and motorized zoom lens															
Digital Zoom	16															
Optical Zoom	38															
DORI Distance	<table border="1"> <thead> <tr> <th>Lens (mm)</th> <th>Detect (m)</th> <th>Observe (m)</th> <th>Recognize (m)</th> <th>Identify (m)</th> </tr> </thead> <tbody> <tr> <td>5.7</td> <td>68.4</td> <td>27.4</td> <td>17.7</td> <td>6.8</td> </tr> <tr> <td>216.6</td> <td>2599.2</td> <td>1039.7</td> <td>519.8</td> <td>259.9</td> </tr> </tbody> </table>	Lens (mm)	Detect (m)	Observe (m)	Recognize (m)	Identify (m)	5.7	68.4	27.4	17.7	6.8	216.6	2599.2	1039.7	519.8	259.9
	Lens (mm)	Detect (m)	Observe (m)	Recognize (m)	Identify (m)											
	5.7	68.4	27.4	17.7	6.8											
216.6	2599.2	1039.7	519.8	259.9												
Angle of View (H)	58.4° ~ 2.1°															
Angle of View (V)	42.6° ~ 1.3°															
Angle of View (O)	71.8° ~ 2.4°															
Shutter	Auto/Manual; shutter time: 1 ~ 1/100000s															
Minimum Illumination	Colour: 0.0005Lux (F1.5, AGC ON) 0Lux with IR															
Iris	Auto/Manual; F1.5 ~ F4.5															
Day/Night	IR-cut filter with auto switch (ICR)															
Digital noise reduction	2D/3D DNR															
S/N	>52dB															
IR Range	UP to 250m (820ft)															
Defog	Optical Defog & Digital Defog															
WDR	120dB															
<b>Video</b>																
Video Compression	Ultra 265, H.265, H.264, MJPEG															
H.264 code profile	Baseline profile, Main Profile, High Profile															
Frame Rate	Main Stream: 2MP (1920*1080), Max 60fps; Sub Stream: 2MP (1920*1080), Max 60fps; Third Stream: D1 (720*576), Max 60fps															
HLC	Supported															
BLC	Supported															
EIS	Supported															
OSD	Up to 8 OSDs															
Privacy Mask	Up to 24 areas															
ROI	Up to 8 areas															

Motion Detection	Up to 4 areas
<b>Smart</b>	
Behavior Detection	Intrusion, cross line, motion detection, Auto tracking
Intrusion	Enter and loiter in a pre-defined virtual region
cross line	Cross a pre-defined virtual line
motion detection	Moving within a pre-defined virtual region
auto tracking	Tracking the specified target
Recognition	Face detection, Audio detection
Intelligent Identification	Object Left, Object Moving
Statistical Analysis	People counting
General Function	Watermark, IP Address Filtering, Tampering Alarm, Alarm input, Alarm output, Access Policy, ARP Protection, RTSP Authentication, User Authentication
<b>Audio</b>	
Audio Compression	G.711
Two-way audio	Supported
Suppression	Supported
Sampling Rate	8KHZ
<b>Storage</b>	
Edge Storage	Micro SD, up to 256GB
Network Storage	ANR
<b>Network</b>	
Protocols	IPv4, IGMP, ICMP, ARP, TCP, UDP, DHCP, PPPoE, RTP, RTSP, RTCP, DNS, DDNS, NTP, FTP, UPnP, HTTP, HTTPS, SMTP, 802.1x, SNMP, QoS
Compatible Integration	ONVIF (Profile S, Profile G, Profile T), API
<b>Pan &amp; Tilt</b>	
Pan Range	360° (endless)
Pan Speed	0.1°/s ~ 240°/s
	Preset speed: 300°/s
Tilt Range	-20° ~ 90° (auto reverse)
Tilt Speed	0.1° ~ 160°/s
	Preset speed: 240°/s
Number of Presets	1024
Patrol	Preset patrol, route patrol, recorded patrol
Home Position	Supported
<b>Interface</b>	
Audio I/O	Audio cable
	Input: impedance 35kΩ; amplitude 2V [p-p]
	Output: impedance 600Ω; amplitude 2V [p-p]
Alarm I/O	2/1
Serial Port	1 RS485
Network	1 RJ4510M/100M/1000M Base-TX Ethernet SFP Base-TX Ethernet
Video Output	1 BNC, impedance 75Ω; amplitude 1V [p-p]
<b>General</b>	
Power	AC 24V (Default)±25%, DC 24V±25%

	Power consumption: 16 ~ 51W
Dimensions (∅ x H)	∅270 x 496.7mm (∅10.6" x 19.6")
Weight	9.69kg (21.4lb)
Working Environment	-40°C ~ 70°C (-40°F ~ 158°F), Humidity: ≤95% RH (non-condensing)
Ingress Protection	IP66
Reset Button	Supported

## Dimensions



### Zhejiang Uniview Technologies Co., Ltd.

Building No.10, Wanlun Science Park, Jiangling Road 88, Binjiang District, Hangzhou, Zhejiang, China (310051)

Email: [overseasbusiness@uniview.com](mailto:overseasbusiness@uniview.com); [globalsupport@uniview.com](mailto:globalsupport@uniview.com)

<http://www.uniview.com>

©2019 Zhejiang Uniview Technologies Co., Ltd. All rights reserved.

\*Product specifications and availability are subject to change without notice.